

# JVC

# SERVICE MANUAL

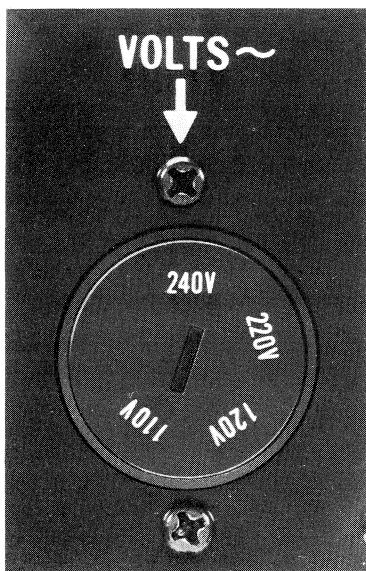
MODEL  
**JT-V71**  
STEREO TUNER



No. 2366  
FEB 1976

# Contents

|  | Page |
|--|------|
| 1. Specifications .....  | 2    |
| 2. Removal of Top Cover and Bottom Plate .....                   | 3    |
| 3. Main Parts Location and Part Numbers .....                    | 4    |
| 4. Dial Stringing Procedure .....                                | 4    |
| 5. Exploded View and Parts List                                  |      |
| 5-(1) Front Panel .....  | 5    |
| 5-(2) Rear Panel .....   | 7    |
| 6. FM/AM Tuner Alignment Procedure                               |      |
| 6-(1) AM Section .....   | 9    |
| 6-(2) FM Section .....   | 9    |
| 7. Circuit Board Ass'y and Parts List                            |      |
| 7-(1) TFM-910GUA1 FM/AM Tuner C.B. Ass'y .....                   | 11   |
| 7-(2) TAD-167C Post Amp. C.B. Ass'y .....                        | 16   |
| 7-(3) TPS-54A Power Supply C.B. Ass'y .....                      | 19   |
| 7-(4) TSC-53A Switch C.B. Ass'y .....                            | 21   |
| 7-(5) TSC-52A Switch C.B. Ass'y .....                            | 21   |
| 8. Packing Materials List .....                                  | 22   |
| 9. Accessories List .....  | 24   |
| 10. Schematic Diagram .....                                      | 24   |
| 11. Parts List with Specified Numbers for Designated Areas ..... | 24   |



This SET is switchable between line voltages of 110, 220 and 240 volts AC, 50/60Hz.

The change-over switch is placed on the rear panel of the set.

To select another voltage, turn the change-over switch with a screwdriver or coin.

# 1. Specifications

## FM Tuner Section

|                                      |        |  |
|--------------------------------------|--------|--|
| Tuning Range                         | :      | 88MHz – 108MHz   |
| Usable Sensitivity                   | :      | 1.8 $\mu$ V  |
| 50dB S/N Sensitivity                 | Mono   | : 3.8 $\mu$ V  |
|                                      | Stereo | : 38 $\mu$ V   |
| Signal to Noise Ratio                | Mono   | : 75dB   |
|                                      | Stereo | : 68dB   |
| Distortion at 1kHz                   | :      | 0.1% (Mono and Stereo)                                     |
| at 10kHz                             | :      | 0.15% (Mono), 0.45% (Stereo)                               |
| at 100Hz                             | :      | 0.1% (Mono and Stereo)                                     |
| Capture Ratio                        | :      | 1.0 dB   |
| Alternate Channel Selectivity        | :      | 75dB   |
| Image Rejection                      | :      | 90dB   |
| IF Rejection                         | :      | 95dB   |
| Spurious Rejection                   | :      | 95dB   |
| AM Suppression                       | :      | 50dB   |
| Stereo Separation at 1kHz            | :      | 50dB   |
| at 10kHz                             | :      | 40dB   |
| at 100Hz                             | :      | 45dB   |
| Sub Carrier Rejection                | :      | 68dB   |
| SCA Carrier Rejection                | :      | 70dB   |
| Stereo Threshold Level               | :      | 4 $\mu$ V, 32 $\mu$ V                                      |
| Muting Threshold Level               | :      | 4 $\mu$ V, 32 $\mu$ V (Mono and Stereo)                    |
| Frequency response                   | :      | 30Hz – 14kHz $\pm$ 0.5dB                                   |
|                                      |        | 20Hz – 15kHz $\begin{matrix} +0.5 \\ -2.5 \end{matrix}$ dB |
| De-emphasis                          | :      | 75, 50, 25 $\mu$ sec. switchable inside                    |
| Output Level (Re: 400Hz, 75kHz dev.) |        |  |
| Variable out                         | :      | 0V – 1.3V  |
| Fixed Out                            | :      | 750mV  |
| Detector Out                         | :      | 160mV  |
| Antenna Input Impedance              | :      | 300 $\Omega$ balanced                                      |
|                                      | :      | 75 $\Omega$ unbalanced                                     |

## AM Tuner Section

|                                     |   |   |
|-------------------------------------|---|---|
| Tuning Range                        | : | 525kHz – 1605kHz  |
| Usable Sensitivity                  | : | 300 $\mu$ V/m (bar antenna)                                     |
|                                     | : | 50 $\mu$ V (ext. antenna)                                       |
| Total Harmonic Distortion           | : | 0.5%  |
| Signal to Noise Ratio               | : | 50dB  |
| Selectivity                         | : | 30dB  |
| Image Rejection                     | : | 45dB  |
| Output Level (Re: 400Hz, 100% mod.) |   |   |
| Variable Out                        | : | 0V – 1.0V   |
| Fixed Out                           | : | 500mV   |
| Antenna                             | : | Built-in ferrite core bar ant.<br>and External antenna terminal |

**Power Source** : 110/120/220/240V, 50/60Hz

**Power Consumption** : 9 watts

## Dimensions

|        |   |                      |
|--------|---|----------------------|
| Height | : | 6-3/8 inch (16.2cm)  |
| Width  | : | 16-1/2 inch (42.0cm) |
| Depth  | : | 14-1/4 inch (36.1cm) |

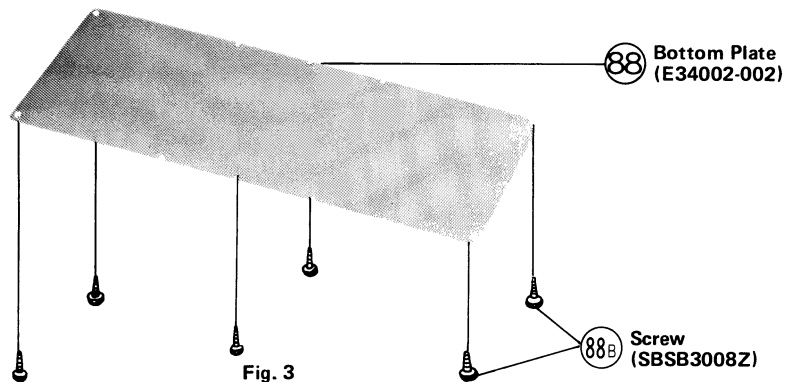
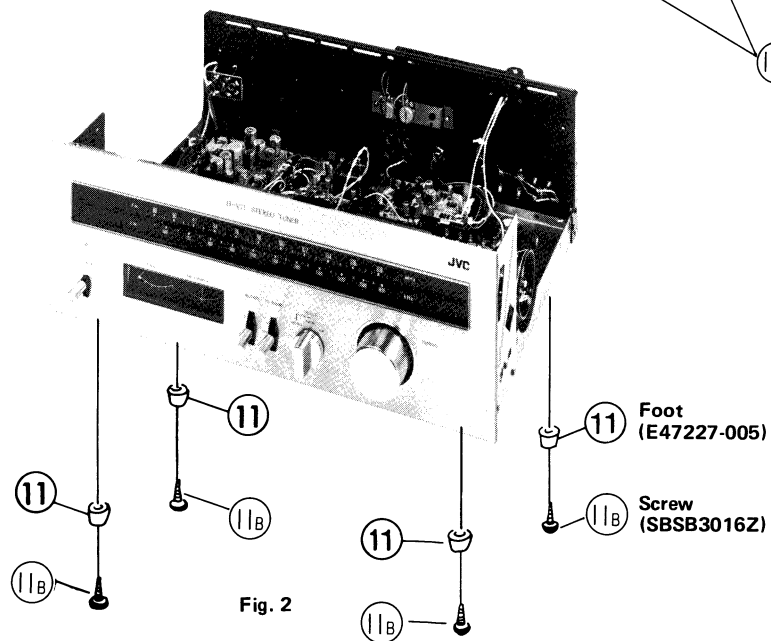
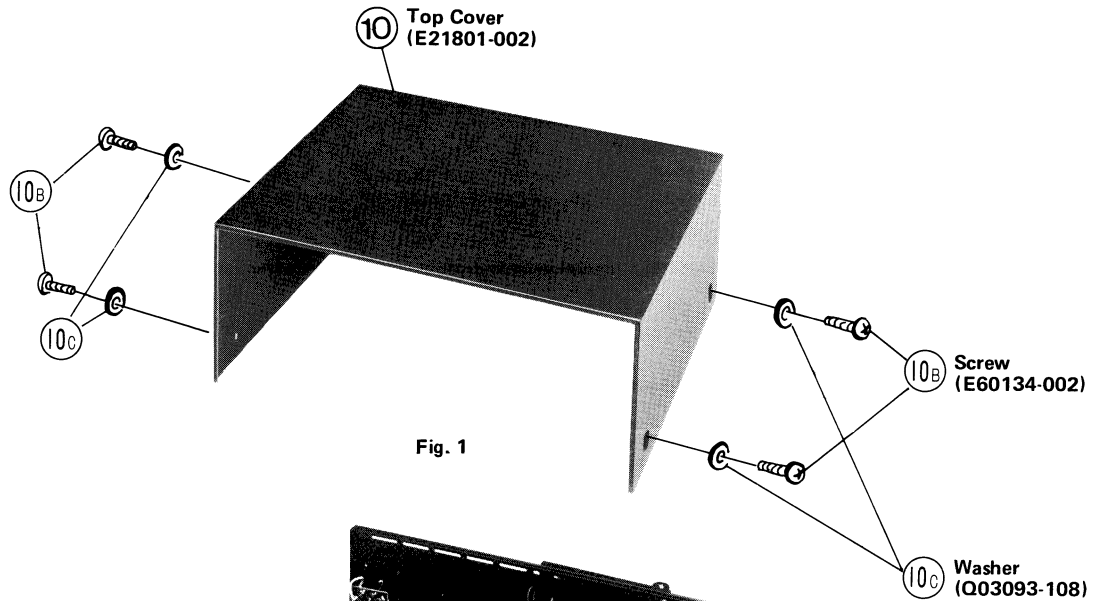
## Weight

|       |   |                   |
|-------|---|-------------------|
| Net   | : | 15.4 lbs. (7.0kg) |
| Gross | : | 18.0 lbs. (8.2kg) |

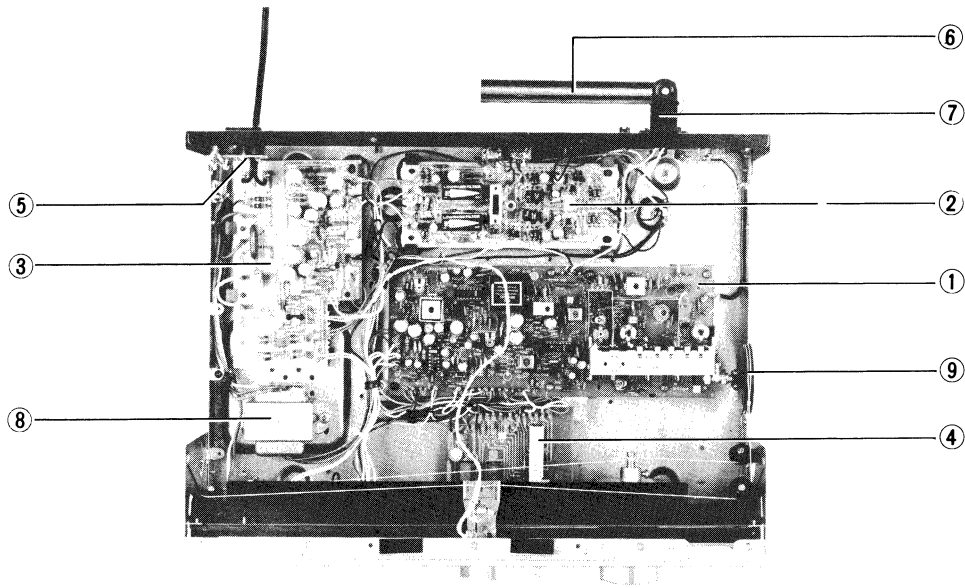
## 2. Removal of Top Cover and Bottom Plate

### Procedure and Part Numbers

1. Remove 4 screws (Item No. 10B) through the both sides of the top cover (Item No. 10).
2. Remove the top cover.
3. Remove 6 screws (Item No. 88B) from bottom plate (Item No. 88) and remove the bottom plate from the chassis.



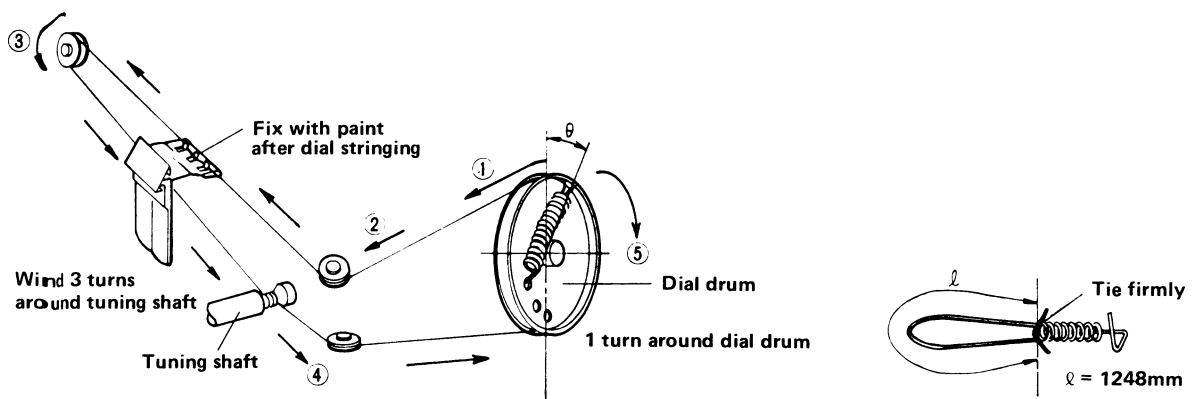
### 3. Main Parts Location and Part Numbers



| Item No. | Part Number | Rating | Description            | Q'ty |
|----------|-------------|--------|------------------------|------|
| 1        | TFM-910GUA1 |        | FM Tuner C.B Ass'y     | 1    |
| 2        | TAD-167C    |        | Post Amp C.B Ass'y     | 1    |
| * 3      | TPS-54A     |        | Power Supply C.B Ass'y | 1    |
| 4        | TSC-53      |        | Switch C.B Ass'y       | 1    |
| * 5      | TSC-52      |        | Switch C.B Ass'y       | 1    |
| 6        | E03037-31UD |        | Bar Antenna Coil       | 1    |
| 7        | E49695-002  |        | Bar Antenna Bracket    | 1    |
| * 8      | E03042-15F  |        | Power Transformer      | 1    |
| 9        | QZD1208-002 |        | Dial Drum              | 1    |

\* Different in different areas. Refer to page 24.

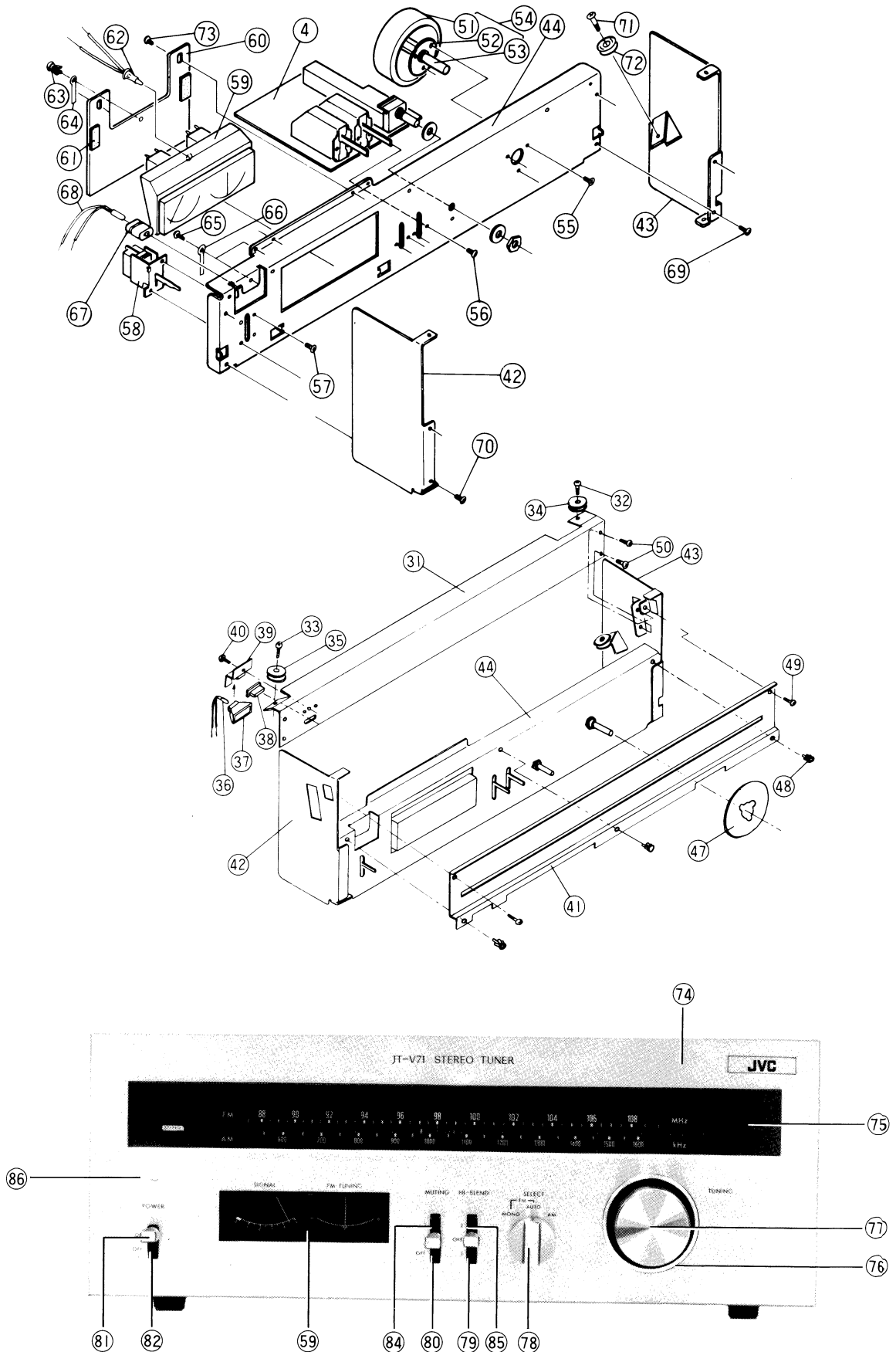
### 4. Dial Stringing Procedure



1. Rotate the tuning capacitor until its rotor fully enters inside the stator. Then start dial stringing with ①.
2. To set the angle  $\theta$ , return the dial drum slightly from the position where cord ① separates from dial drum.

# 5. Exploded View and Parts List

## 5-(1) Front Panel

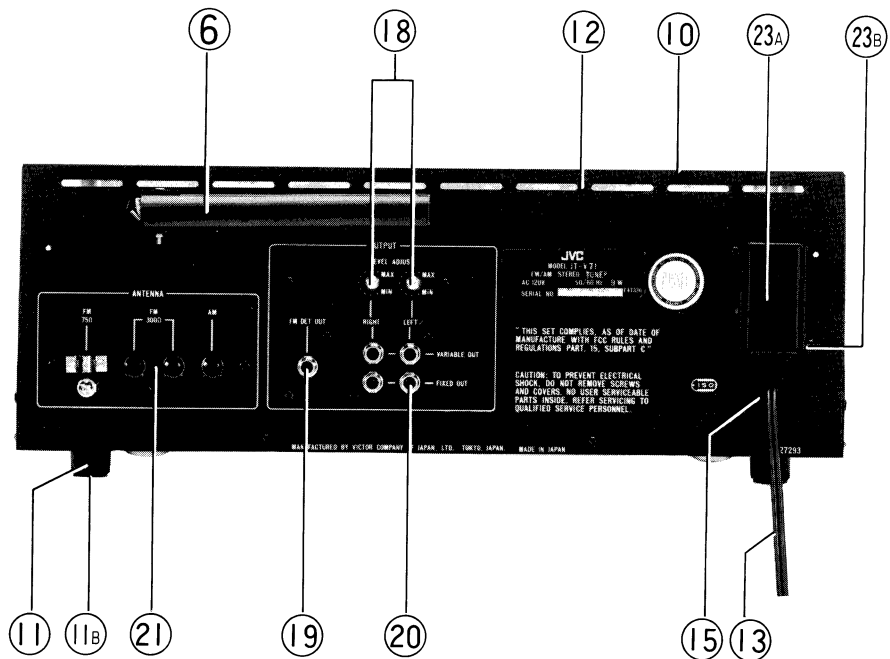
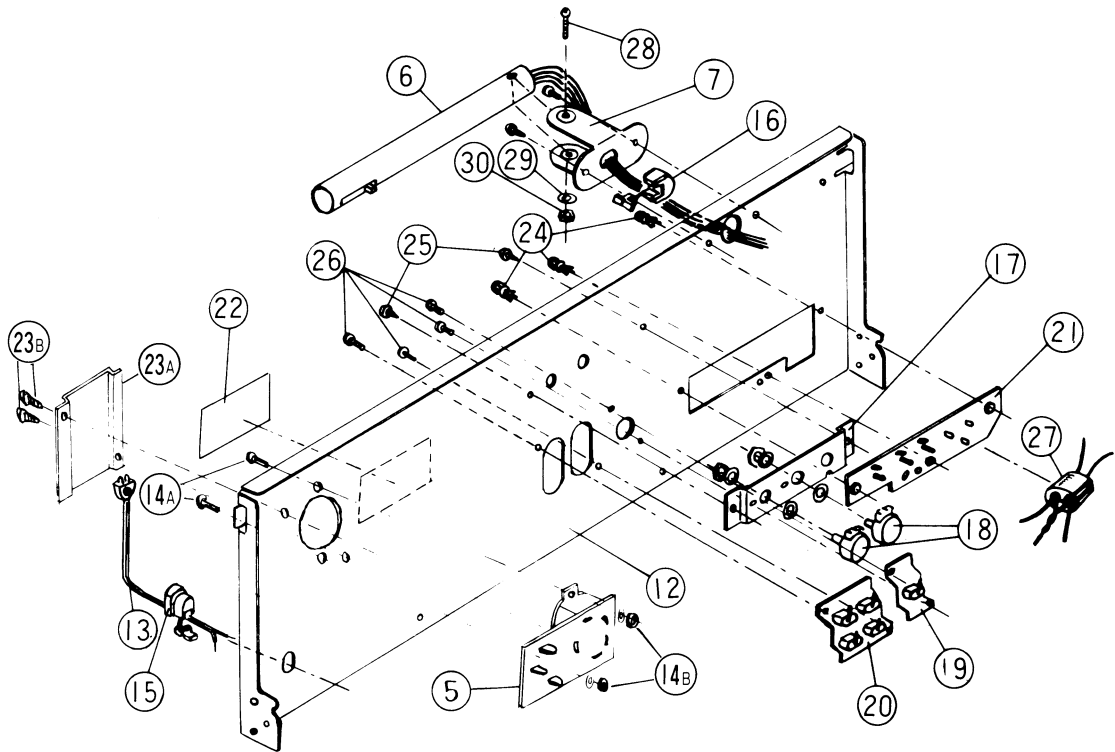


**Parts List**

| Item No. | Part Number | Rating   | Description           | Q'ty |
|----------|-------------|----------|-----------------------|------|
| 31       | E21838-001  |          | Needle Rail           | 1    |
| 32       | E49447-001  |          | Shaft Screw           | 1    |
| 33       | E49447-001  |          | Shaft Screw           | 1    |
| 34       | E45017-001  |          | Roller                | 1    |
| 35       | E45017-001  |          | Roller                | 1    |
| 36       | QLP3105-001 | 35mA/6V  | Pilot Lamp            | 1    |
| 37       | E47754-001  |          | Reflector             | 1    |
| 38       | E60084-001  |          | Stereo Indicator      | 1    |
| 39       | E60085-001  |          | Lamp Socket           | 1    |
| 40       | SBSB3006Z   |          | Screw                 | 1    |
| 41       | E21837-003  |          | Dial Scale            | 1    |
| 42       | E21841-001  |          | Stay Bracket (left)   | 1    |
| 43       | E21842-002  |          | Stay Bracket (right)  | 1    |
| 44       | E21836-001  |          | Front Bracket         | 1    |
| 45       |             |          |                       |      |
| 46       |             |          |                       |      |
| 47       | E60078-002  |          | Spacer                | 1    |
| 48       | E48729-002  |          | Plastic Rivet         | 3    |
| 49       | SBSB3006Z   |          | Screw                 | 2    |
| 50       | SBSB3006Z   |          | Screw                 | 4    |
| 51       | E60082-001  |          | Flywheel              | 1    |
| 52       | E60080-001  |          | Tuning Bracket        | 1    |
| 53       | E60081-001  |          | Tuning Shaft          | 1    |
| 54       | E34138-001  |          | Tuning Shaft Ass'y    | 1    |
| 55       | SSSP3006NS  |          | Screw                 | 3    |
| 56       | SSSP3006NS  |          | Screw                 | 4    |
| 57       | SSSP3006NS  |          | Screw                 | 2    |
| * 58     | OSL2220-002 |          | Power Switch          | 1    |
| 59       | E03680-002  |          | Tuning Meter          | 1    |
| 60       | E60147-001  |          | Meter Holder          | 1    |
| 61       | E45204-006  |          | Plate                 | 2    |
| 62       | E60166-001  | 100mA/6V | Lamp Ass'y            | 1    |
| 63       | E48729-002  |          | Plastic Rivet         | 1    |
| 64       | E50670-003  |          | Wire Clamp            | 1    |
| 65       | SBSB3006Z   |          | Screw                 | 1    |
| 66       | E50670-003  |          | Wire Clamp            | 1    |
| 67       | E46029-001  |          | Rubber Bushing        | 1    |
| 68       | QLP3105-001 | 35mA/6V  | Pilot Lamp            | 1    |
| 69       | SBSB3006Z   |          | Screw                 | 2    |
| 70       | SBSB3006Z   |          | Screw                 | 2    |
| 71       | E49447-001  |          | Shaft Screw           | 1    |
| 72       | E45017-001  |          | Roller                | 1    |
| 73       | SBSB3006Z   |          | Screw                 | 1    |
| 74       | E21834-005  |          | Front Panel Ass'y     | 1    |
| 75       | E34137-002  |          | Window Screen         | 1    |
| 76       | E60079-001  |          | Knob Escutcheon       | 1    |
| 77       | E60039-002  |          | Tuning Knob           | 1    |
| 78       | E49976-001  |          | Select Knob           | 1    |
| 79       | E49977-002  |          | Lever Knob            | 1    |
| 80       | E49977-002  |          | Lever Knob            | 1    |
| 81       | E49977-002  |          | Lever Knob            | 1    |
| 82       | E49968-001  |          | Lever Knob Escutcheon | 1    |
| 84       | E49968-002  |          | Lever Knob Escutcheon | 1    |
| 85       | E49968-002  |          | Lever Knob Escutcheon | 1    |
| 86       | E49969-001  |          | Rabbit Eye            | 1    |

\* Different in different areas. See page 24.

# 5-(2) Rear Panel



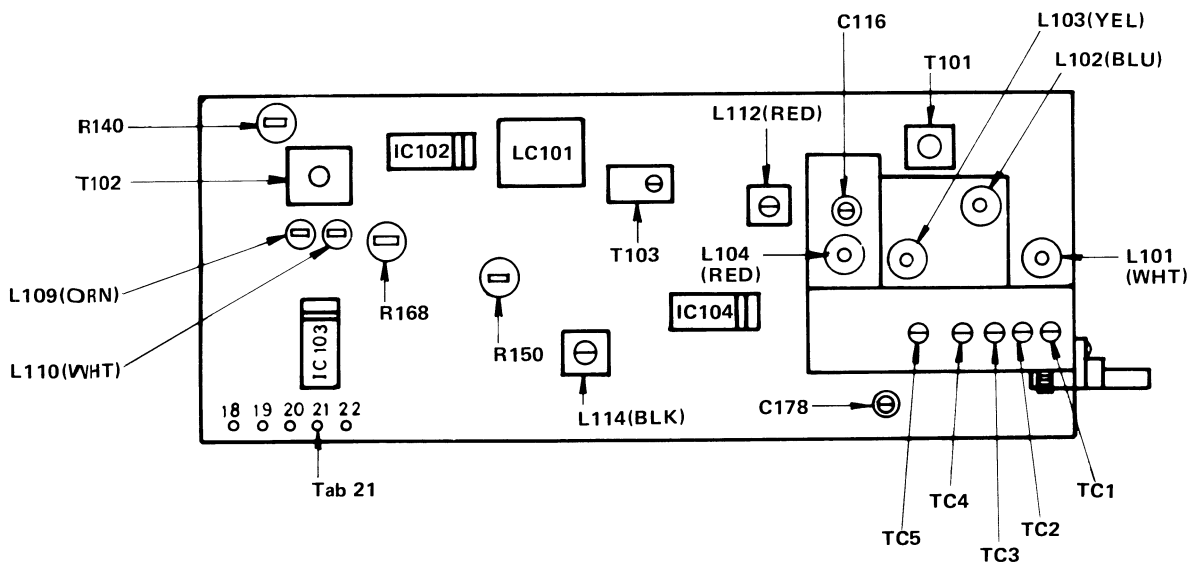


**Parts List**

| Item No. | Part Number | Rating       | Description            | Q'ty |
|----------|-------------|--------------|------------------------|------|
| * 5      | TSC-52A     |              | Switch C.B Ass'y       | 1    |
| 6        | E03037-31UD |              | Bar Antenna Coil       | 1    |
| 7        | E49695-002  |              | Bar Antenna Bracket    | 1    |
| 10       | E21801-002  |              | Top Cover              | 1    |
| 10B      | E60134-002  |              | Screw (for top cover)  | 4    |
| 10C      | Q03093-108  |              | Washer (for top cover) | 4    |
| 11       | E47227-005  |              | Foot                   | 4    |
| 11B      | SBSB3016Z   |              | Screw (for foot)       | 4    |
| 12       | E21839-002  |              | Rear Panel             | 1    |
| * 13     | QMP1200-244 |              | Power Cord             | 1    |
| 14A      | SPSP3008MS  |              | Screw                  | 2    |
| 14B      | NTB3000NS   |              | Nut & Washer           | 2    |
| * 15     | QHS3876-162 |              | Cord Stopper           | 1    |
| 16       | QHS3876-162 |              | Cord Stopper           | 1    |
| 17       | E48598-002  |              | Bracket                | 1    |
| 18       | E03415-001  | 50k $\Omega$ | Variable Resistor      | 2    |
| 19       | E03591-10   |              | Pin Jack               | 1    |
| 20       | E03591-41C  |              | Pin Jack               | 1    |
| 21       | E03629-001  |              | Antenna Terminal Board | 1    |
| * 22     | E47330-197  |              | Rating Lable           | 1    |
| * 23-A   | E60931-001  |              | Cover (TSC-52)         | 1    |
| * 23-B   | SBSB3008M   |              | Screw                  | 2    |
| 24       | E48729-001  |              | Plastic Rivet          | 3    |
| 25       | SBSB3008M   |              | Screw                  | 2    |
| 26       | SPSD3008MS  |              | Screw                  | 4    |
| 27       | E03177-002  |              | Balun                  | 1    |
| 28       | SPSP3025NS  |              | Screw                  | 1    |
| 29       | WLS3000N    |              | Washer                 | 1    |
| 30       | NNZ3000NS   |              | Nut                    | 1    |

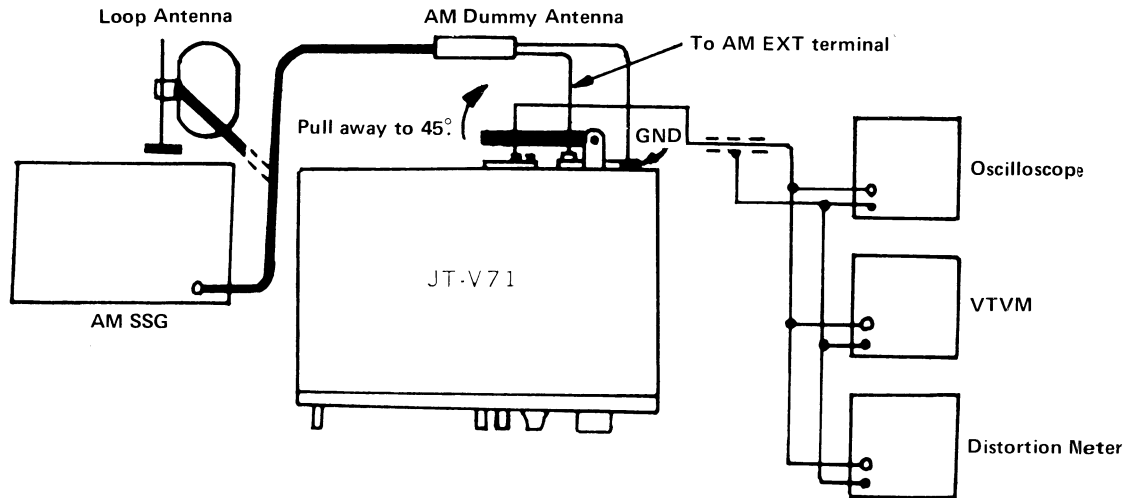
\* Different in different areas. See page 24.

## 6. FM/AM Tuner Alignment Procedure



## 6-(1) AM Section

### Connection



### Tracking and Sensitivity

#### Low Frequency

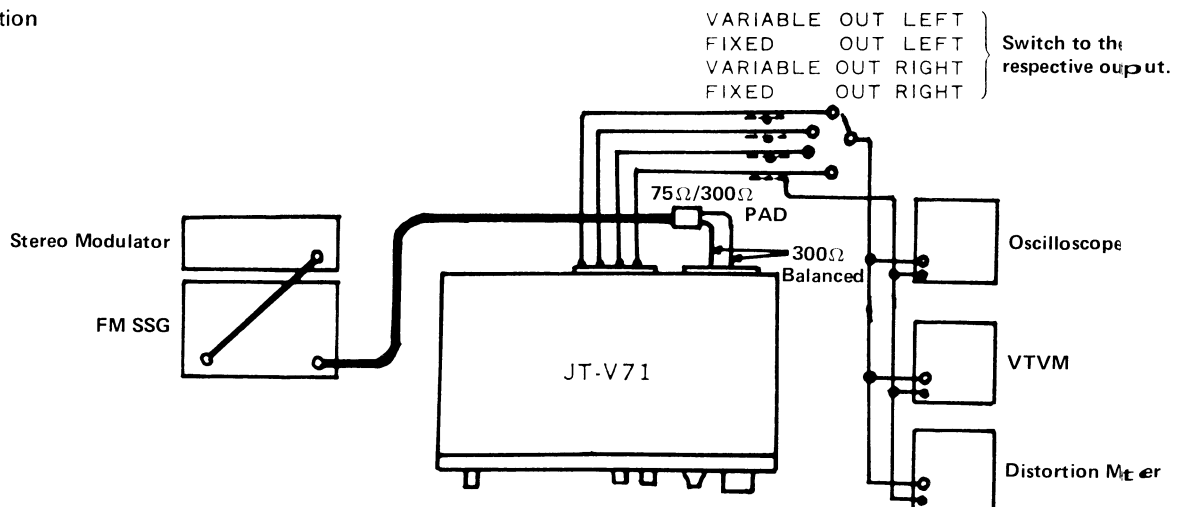
1. Connect an AM SSG to the antenna terminals on the rear panel, set this to 600kHz with 30% modulation at 400Hz.
2. Connect an AC VTVM and an oscilloscope to Fixed Out on the rear panel.
3. Set the dial pointer to 600kHz.
4. Adjust the osc. transformer L112 and the ferrite bar antenna to maximize the output signal.

#### High Frequency

5. Set the AM SSG to 1,400kHz with 30% modulation at 400Hz.
6. Set the dial pointer to 1,400kHz.
7. Adjust the trimmers TC4 and TC2 in the AM tuning gang so that the output signal is maximized.
8. Repeat these high and low frequency adjustments alternately until maximum sensitivity is obtained.

## 6-(2) FM Section

### Connection



## Discriminator, Center Meter & Distortion

1. Connect an FM SSG, 1kHz modulation and 75kHz deviation, to the antenna terminals on the rear panel through a dummy antenna.
2. Connect an oscilloscope, distortion meter and VTVM to the Fixed Out Jacks on the rear panel.
3. Tune to a frequency where there is no broadcasting.
4. Adjust the bottom core of T102 so that the center meter indicates "0" (zero).
5. Set the FM SSG to 98MHz.
6. Set the dial pointer to 98MHz.
7. Adjust the top core of T102 so that the distortion is minimized at a value less than 0.4%.

## Tracking and Sensitivity

### Low Frequency

1. Connect an FM SSG to the antenna terminals on the rear panel through a dummy antenna.
2. Set the FM SSG to 88MHz, a modulation of 1kHz and a deviation of 75kHz, to provide an input of  $2\mu\text{V}$ .
3. Connect a VTVM and an oscilloscope to the Fixed Out Jacks on the rear panel.
4. Set the dial pointer to 88MHz.
5. Adjust five coils L104, L103, L102, L101 and T101 (top and bottom cores).

### High Frequency

6. Set the FM SSG to 108MHz, a modulation of 1kHz and a deviation of 75kHz, to provide an input of  $2\mu\text{V}$ .
7. Set the dial pointer to 108MHz.
8. Adjust the FM trimmers C114, TC5, TC3 and TC1 in the tuning gang to maximize the output.
9. Repeat these high and low frequency adjustments alternately until maximum sensitivity is obtained.

**Note:** After completion of this procedure, make sure that the center meter indicates proper position. Repeat steps 4 through 7 of the center meter adjustment, if it is not indicated properly.

## Multiplex

1. Set a stereo modulator as follows: Modulation frequency 1,000Hz, Deviation pilot 7.5kHz, Main and Sub. 67.5kHz. Connect its output to an FM SSG.
2. Connect the FM SSG to the antenna terminals through a dummy antenna.
3. Connect a VTVM, an oscilloscope and a distortion meter to the Fixed Out Jacks.
4. Set the FM SSG to 98MHz and an output of 1mV.
5. Set the dial pointer to 98MHz.
6. Connect a frequency counter to Tab No. 29.
7. Switch off the pilot signal of the stereo modulator.
8. Adjust R168 so that the frequency counter indicates 19kHz ( $\pm 0.1\text{kHz}$ ).
9. If no frequency counter is available, there is another simplified method. Tune exactly to a stereo broadcast. Then turn R168 in either direction to find the range in which the stereo indicator lights up and fix R168 at the center of the range.

## Stereo Separation

10. Switch the selector of the stereo modulator to left channel modulation.
11. Adjust R306 located on TAD-167C (Post Amp. C.B. Ass'y) so that the output of the right channel is minimized.
12. Switch the selector of the modulator to right channel modulation.
13. Adjust R306 so that the output of the left channel is minimized.
14. Set R306 to average, if the separations of right and left channels are different.

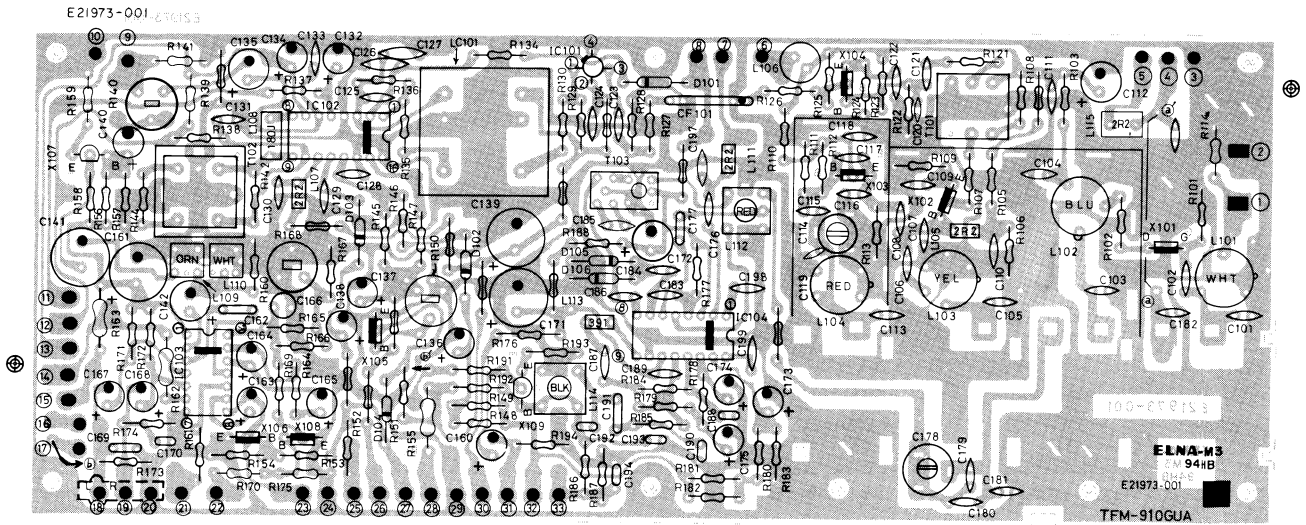
**Note:** Keep the HI-BLEND switch off during this adjustment procedure of stereo separation.

## Muting Level

1. Connect a VTVM and an oscilloscope to the Fixed Out Jacks.
2. Set the FM SSG to 98MHz, a modulation of 1kHz and a deviation of 75kHz, to provide an input of  $10\mu\text{V}$ .
3. Turn R150 clockwise with the MUTING switch at "1" and remember the point at which the muting ceases operating.
4. Turn R150 counterclockwise slightly so that the output level drops by 1dB.
5. Attenuate the output of the FM SSG to 2dB from  $10\mu\text{V}$  of Step 2 and check that the muting is still operating.
6. Change the position of the MUTING switch to "2" and raise the antenna input to  $32\mu\text{V}$ .
7. Adjust R403 (TSC-53A) in the same way as steps 3, 4 and 5 to set to  $32\mu\text{V}$ .

# 7. Circuit Board Ass'y and Parts List

## 7-(1) TFM-910GUA1 FM/AM Tuner C.B. Ass'y



| Transistor Voltages (in Volts) |       |      |      |
|--------------------------------|-------|------|------|
|                                | G     | S    | D    |
| X101                           | 0     | 0    | 10.5 |
|                                | B     | C    | E    |
| X102                           | 1.6   | 11.2 | 0.9  |
| X103                           | 5.7   | 10.0 | 5.1  |
| X104                           | 4.0   | 10.3 | 3.4  |
| X105                           | 0     | 3.3  | 0    |
|                                | 0.7   | 0    | 0    |
| X106                           | 0.7   | 0    | 0    |
|                                | 0     | 2.1  | 0    |
| X107                           | 2.2   | 6.2  | 1.7  |
| X108                           | 0     | 2.8  | 0    |
|                                | 0.7   | 0.3  | 0    |
| X301                           | 2.1   | 7.5  | 1.75 |
| X302                           | 2.1   | 7.5  | 1.75 |
| X303                           | 0     | 0    | 0    |
| X304                           | 0.7   | 0    | 0    |
|                                | 0     | 0    | 0    |
|                                | 0     | 0    | 0    |
|                                | 0     | 0    | 0    |
| X305                           | 0     | -5   | +0.6 |
| X306                           | 0     | -5   | +0.6 |
| X307                           | -5    | +2.7 | -11  |
| X308                           | -5    | +2.7 | -11  |
| X801                           | 0.6   | 0    | 0    |
| X802                           | -12   | -21  | -0.4 |
| X803                           | -12.4 | -25  | -12  |
| X804                           | 12.5  | 12   | 26   |
| X805                           | 0.6   | 12.5 | 0    |

| IC Voltages (In Volts) |          |            |        |
|------------------------|----------|------------|--------|
|                        | IC 101   | IC 102     | IC 103 |
| Pin No.                | HA1137W  | HA1156W    | HA1197 |
| 1                      | 2.0      | 10.5       | 4.7    |
| 2                      | 2.0      | 2.8        | 2.0    |
| 3                      | 2.0      | 5.1        | 8.4    |
| 4                      | 0        | 7.5        | 5.9    |
| 5                      | 0 or 1.5 | 7.5        | 8.4    |
| 6                      | 5.5      | 12 or 0.6  | 3.3    |
| 7                      | 5.5      | 0          | 1.1    |
| 8                      | 5.5      | 0 or 2.1   | 2.6    |
| 9                      | 5.5      | 2.1        | 5.8    |
| 10                     | 5.5      | 1.3        | 0      |
| 11                     | 11.7     | 1.9        | 9.2    |
| 12                     | 3.2 or 0 | 2.1        | 1.3    |
| 13                     | 0 or 4.9 | 2.1        | 0.7    |
| 14                     | 0        | 2.8 or 1.0 | 1.4    |
| 15                     | 4.6      | 0          | 0      |
| 16                     | 0        | 0          | 0.9    |

**Note 1**

|                           | IC101<br>Pin 5 | IC101<br>Pin 12 | IC101<br>Pin 13 |
|---------------------------|----------------|-----------------|-----------------|
| No Signal & Muting OFF    | 0              | 3.2             | 0               |
| No Signal & Muting ON     | 1.5            | 3.2             | 0               |
| 1mV RF INPUT & MUTING ON  | 0              | 0               | 4.9             |
| 1mV RF INPUT & MUTING OFF | 0              | 0               | 4.9             |

**Note 2**

|                                   | IC102<br>Pin 6 | IC102<br>Pin 8 | IC102<br>Pin 14 |
|-----------------------------------|----------------|----------------|-----------------|
| No Signal                         | 12             | 0              | 2.8             |
| 1mV RF MONO INPUT/MONO Position   | 12             | 0              | 2.8             |
| 1mV RF MONO INPUT/AUTO Position   | 12             | 2.1            | 2.8             |
| 1mV RF STEREO INPUT/MONO Position | 12             | 0              | 2.8             |
| 1mV RF STEREO INPUT/AUTO Position | 0.6            | 2.1            | 2.8             |
| At AM Position                    | 12             | 2.1            | 3.6             |

### Transistors

| Item No. | Part Number   | Rating      |                      | Description | Maker   |
|----------|---------------|-------------|----------------------|-------------|---------|
|          |               | Pc          | f <sub>T</sub>       |             |         |
| X101     | 2SK55D        | IDSS: 14mA, | NF: 3,5dB (f=100MHz) | F.E.T.      | Hitachi |
| X102     | 2SC535 (C)    | 100mW       | 700MHz               | Silicon     | "       |
| X103     | 2SC1342 (B)   | 100mW       | 250MHz               | "           | "       |
| X104     | 2SC535 (B)    | 100mW       | 700MHz               | "           | "       |
| X105     | 2SC458 (C)    | 200mW       | 230MHz               | "           | "       |
| X106     | 2SC458 (C)    | 200mW       | 230MHz               | "           | "       |
| X107     | 2SC1775AV (F) | 300mW       | 200MHz               | "           | "       |
| X108     | 2SC458 (C)    | 200mW       | 230MHz               | "           | "       |

### Integrated Circuits

| Item No. | Part Number | Rating | Description | Maker   |
|----------|-------------|--------|-------------|---------|
| IC101    | LA1221      |        | I.C.        | Hitachi |
| IC102    | HA1137W     | 550mW  | "           | "       |
| IC103    | HA1156W     | 400mW  | "           | "       |
| IC104    | HA1197W     |        | "           | "       |

### Filters

| Item No. | Part Number | Rating | Description    | Maker |
|----------|-------------|--------|----------------|-------|
| CF101    | EO3609-002R |        | Ceramic Filter |       |
| LC101    | EO3618-001  |        | L.C. Filter    |       |

### Diodes

| Item No. | Part Number | Rating | Description | Maker      |
|----------|-------------|--------|-------------|------------|
| D101     | IS2473      |        | Silicon     | Toyo Dengu |
| D102     | IS2473      |        | "           |            |
| D103     | IS2473      |        | "           |            |
| D104     | IS2473      |        | "           |            |
| D105     | IS2473      |        | "           |            |
| D106     | IS2473      |        | "           |            |

### Coils

| Item No. | Part Number  | Rating | Description            | Maker |
|----------|--------------|--------|------------------------|-------|
| L101     | E03477-031   |        | RF Coil (White)        |       |
| L102     | E03477-036   |        | " (Blue)               |       |
| L103     | E03477-033   |        | " (Yellow)             |       |
| L104     | E03477-034   |        | " (Red)                |       |
| L105     | E03522-2R2KY | 2.2μH  | Choke Coil             |       |
| L106     | E03566-223   | 22mH   | Ferry Inductor         |       |
| L107     | E03522-2R2KY | 2.2μH  | Choke Coil             |       |
| L108     | E03522-180J  | 18μH   | FM Detector Coil       |       |
| L109     | E03406-002   |        | Trap Filter (Orange)   |       |
| L110     | E03406-003   |        | " (White)              |       |
| L111     | E03522-2R2KY | 2.2μH  | Choke Coil             |       |
| L112     | E03079-29    |        | AM OSC Coil (Red)      |       |
| L113     | E03522-391KY | 390μH  | Choke Coil             |       |
| L114     | E03407-005   |        | Multiplex Coil (Black) |       |
| L115     | E03522-2R2KY | 2.2μH  | Choke Coil             |       |
| T101     | E03134-023   |        | FM I.F. Transformer    |       |
| T102     | E03134-020B  |        | "                      |       |
| T103     | E03613-003   |        | AM I.F. Transformer    |       |

### Capacitors

| Item No. | Part Number  | Rating        |      | Description         | Maker |
|----------|--------------|---------------|------|---------------------|-------|
| C101     | QAA2245-001  |               |      | Variable Tuning     |       |
| C102     | QCS11HJ-150  | 15pF          | 50V  | Ceramic             |       |
| C103     | QCS11HJ-330  | 33pF          | "    | "                   |       |
| C104     | QCS11HJ-180  | 18pF          | "    | "                   |       |
| C105     | QCF11HP-223A | 0.022 $\mu$ F | "    | "                   |       |
| C106     | QCS11HJ-180  | 18pF          | "    | "                   |       |
| C107     | QCS11HJ-4RO  | 4pF           | "    | "                   |       |
| C108     | QCS11HJ-4RO  | "             | "    | "                   |       |
| C109     | QCT05CH-2RO  | 2pF           | 50V  | "                   |       |
| C110     | QCF11HP-223A | 0.022 $\mu$ F | "    | "                   |       |
| C111     | QCS11HJ-101  | 100pF         | "    | "                   |       |
| C112     | QCF11HP-223A | 0.022 $\mu$ F | "    | "                   |       |
| C113     | QCT05SH-220  | 22pF          | "    | "                   |       |
| C114     | QAT3001-014  | 6pF           | "    | Trimmer             |       |
| C115     | QCT05CH-7RO  | 7pF           | "    | Ceramic             |       |
| C116     | QCT05CH-100  | 10pF          | "    | "                   |       |
| C117     | QCT05CH-220  | 22pF          | "    | "                   |       |
| C118     | QCF11HP-223A | 0.022 $\mu$ F | "    | "                   |       |
| C121     | QCF11HP-223A | "             | "    | "                   |       |
| C122     | QCF11HP-223A | "             | "    | "                   |       |
| C123     | QCF11HP-223A | "             | "    | "                   |       |
| C124     | QCF11HP-223A | "             | "    | "                   |       |
| C125     | QCF11HP-223A | "             | "    | "                   |       |
| C126     | QCZ0107-473  | 0.047 $\mu$ F | 25V  | "                   |       |
| C127     | QCZ0107-473  | "             | "    | "                   |       |
| C128     | QCS11HJ-151  | 150pF         | "    | "                   |       |
| C129     | QCF11HP-223A | 0.022 $\mu$ F | "    | "                   |       |
| C130     | QCF11HP-223A | "             | "    | "                   |       |
| C131     | QCF11HP-223A | "             | "    | "                   |       |
| C132     | QEB41EM-475  | 4.7 $\mu$ F   | 25V  | L.L.C. Electrolytic |       |
| C133     | QCS11HJ-330  | 33pF          | "    | Ceramic             |       |
| C134     | QEW41HA-105  | 1 $\mu$ F     | "    | Electrolytic        |       |
| C135     | QEW41CA-226  | 22 $\mu$ F    | 16V  | "                   |       |
| C136     | QEW41AA-476  | 47 $\mu$ F    | 10V  | "                   |       |
| C137     | QEW41HA-474  | 0.47 $\mu$ F  | 50V  | "                   |       |
| C138     | QEW41HA-105  | 1 $\mu$ F     | "    | "                   |       |
| C139     | QEW41CA-227  | 220 $\mu$ F   | 16V  | "                   |       |
| C140     | QEW41CA-226  | 22 $\mu$ F    | "    | "                   |       |
| C141     | QEW41CA-107  | 100 $\mu$ F   | "    | "                   |       |
| C142     | QEB41EM-106  | 10 $\mu$ F    | 25V  | L.L.C. Electrolytic |       |
| C161     | QEW41CA-227  | 220 $\mu$ F   | 16V  | Electrolytic        |       |
| C162     | QFM41HK-473  | 0.047 $\mu$ F | 50V  | Mylar               |       |
| C163     | QEB41HM-105  | 1 $\mu$ F     | "    | L.L.C. Electrolytic |       |
| C164     | QEB41HM-224  | 0.22 $\mu$ F  | "    | "                   |       |
| C165     | QEB41EM-106  | 10 $\mu$ F    | 25V  | "                   |       |
| C166     | QFS42BJ-471  | 470pF         | 125V | Polystyrene         |       |
| C167     | QEB41HM-105  | 1 $\mu$ F     | 50V  | L.L.C. Electrolytic |       |
| C168     | QEB41HM-105  | "             | "    | "                   |       |
| C169     | QFM41HK-102  | 1000pF        | "    | Mylar               |       |
| C170     | QFM41HK-102  | "             | "    | "                   |       |
| C171     | QEW41CA-227  | 220 $\mu$ F   | 16V  | Electrolytic        |       |

### Capacitors

| Item No. | Part Number  | Rating        |     | Description  |
|----------|--------------|---------------|-----|--------------|
|          |              |               |     |              |
| C172     | QEW41CA-476  | 47 $\mu$ F    | 16V | Electrolytic |
| C173     | QEW41AA-476  | 47 $\mu$ F    | 10V | "            |
| C174     | QEW41HA-105  | 1 $\mu$ F     | 50V | "            |
| C175     | QEW41CA-106  | 10 $\mu$ F    | 16V | "            |
| C176     | QCF11HP-223A | 0.022 $\mu$ F | 50V | Ceramic      |
| C177     | QFM41HK-103  | 0.01 $\mu$ F  | "   | Mylar        |
| C178     | QAT3001-006  | 50pF          | "   | Trimmer      |
| C179     | QCS11HJ-560  | 56pF          | "   | Ceramic      |
| C180     | QCS11HJ-271  | 270pF         | "   | "            |
| C181     | QCS11HJ-180  | 18pF          | "   | "            |
| C183     | QCF11HP-223A | 0.022 $\mu$ F | "   | "            |
| C184     | QCF11HP-223A | "             | "   | "            |
| C185     | QCS11HJ-470  | 47pF          | "   | "            |
| C186     | QCF11HP-223A | 0.022 $\mu$ F | "   | "            |
| C187     | QCS11HJ-331  | 330pF         | "   | "            |
| C188     | QFM41HK-102  | 1000pF        | "   | Mylar        |
| C189     | QCF11HP-223A | 0.022 $\mu$ F | "   | Ceramic      |
| C190     | QFM41HK-222  | 2200pF        | "   | Mylar        |
| C191     | QFM41HK-473  | 0.047 $\mu$ F | "   | "            |
| C192     | QFM41HK-103  | 0.01 $\mu$ F  | "   | "            |
| C193     | QFM41HK-222  | 2200pF        | "   | "            |
| C195     | QCF11HP-223A | 0.022 $\mu$ F | "   | Ceramic      |
| C197     | QCS11HJ-470  | 47pF          | "   | "            |
| C198     | QCF11HP-223A | 0.022 $\mu$ F | "   | "            |
| C199     | QCZ0107-473  | 0.047 $\mu$ F | 25V | "            |

### Resistors

| Item No. | Part Number | Rating        |      | Description |
|----------|-------------|---------------|------|-------------|
|          |             |               |      |             |
| R101     | QRD181J-105 | 1M $\Omega$   | 1/8W | Carbon      |
| R102     | QRD181J-820 | 82 $\Omega$   | "    | "           |
| R103     | QRD181J-820 | "             | "    | "           |
| R105     | QRD181J-223 | 22k $\Omega$  | "    | "           |
| R106     | QRD181J-392 | 3.9k $\Omega$ | "    | "           |
| R107     | QRD181J-470 | 47 $\Omega$   | "    | "           |
| R108     | QRD181J-123 | 12k $\Omega$  | "    | "           |
| R109     | QRD181J-102 | 1k $\Omega$   | "    | "           |
| R110     | QRD181J-331 | 330 $\Omega$  | "    | "           |
| R111     | QRD181J-123 | 12k $\Omega$  | "    | "           |
| R112     | QRD181J-822 | 8.2k $\Omega$ | "    | "           |
| R113     | QRD181J-152 | 1.5k $\Omega$ | "    | "           |
| R114     | QRD181J-682 | 6.8k $\Omega$ | "    | "           |
| R121     | QRD181J-181 | 180 $\Omega$  | "    | "           |
| R122     | QRD181J-332 | 3.3k $\Omega$ | "    | "           |
| R123     | QRD181J-562 | 5.6k $\Omega$ | "    | "           |
| R124     | QRD181J-102 | 1k $\Omega$   | "    | "           |
| R125     | QRD181J-271 | 270 $\Omega$  | "    | "           |
| R126     | QRD181J-221 | 220 $\Omega$  | "    | "           |
| R127     | QRD181J-181 | 180 $\Omega$  | "    | "           |
| R128     | QRD181J-331 | 330 $\Omega$  | "    | "           |
| R129     | QRD181J-102 | 1k $\Omega$   | "    | "           |

### Resistors

| Item No. | Part Number | Rating |      | Description  |
|----------|-------------|--------|------|--------------|
| R130     | QRD181J-221 | 220Ω   | 1/8W | Carbon       |
| R134     | QRD181J-334 | 330kΩ  | "    | "            |
| R135     | QRD181J-271 | 270Ω   | "    | "            |
| R136     | QRD181J-391 | 390Ω   | "    | "            |
| R137     | QRD181J-123 | 12kΩ   | "    | "            |
| R138     | QRD181J-822 | 8.2kΩ  | "    | "            |
| R139     | QRD181J-271 | 270Ω   | "    | "            |
| R140     | QVP4A0B-223 | 22kΩ   |      | Variable     |
| R141     | QRD181J-104 | 100kΩ  | 1/8W | Carbon       |
| R142     | QRD181J-562 | 5.6kΩ  | "    | "            |
| R144     | QRD181J-332 | 3.3kΩ  | "    | "            |
| R145     | QRD181J-332 | 3.3kΩ  | "    | "            |
| R146     | QRD181J-822 | 8.2kΩ  | "    | "            |
| R147     | QRD181J-683 | 68kΩ   | "    | "            |
| R148     | QRD181J-222 | 2.2kΩ  | "    | "            |
| R149     | QRD181J-682 | 6.8kΩ  | "    | "            |
| R150     | QVP4A0B-473 | 47kΩ   |      | Variable     |
| R151     | QRD181J-223 | 22kΩ   | 1/8W | Carbon       |
| R152     | QRD181J-133 | 13kΩ   | "    | "            |
| R153     | QRD181J-103 | 10kΩ   | "    | "            |
| R154     | QRD181J-103 | 10kΩ   | "    | "            |
| R155     | QRD126J-100 | 10Ω    | 1/2W | UNF. C. Res. |
| R156     | QRD181J-823 | 82kΩ   | 1/8W | Carbon       |
| R157     | QRD181J-273 | 27kΩ   | "    | "            |
| R158     | QRD181J-222 | 2.2kΩ  | "    | "            |
| R159     | QRD181J-102 | 1kΩ    | "    | "            |
| R160     | QRD181J-272 | 2.7kΩ  | "    | "            |
| R161     | QRD181J-105 | 1MΩ    | "    | "            |
| R162     | QRD126J-221 | 220Ω   | 1/2W | UNF. C. Res. |
| R163     | QRD126J-101 | 100Ω   | "    | UNF. C. Res. |
| R164     | QRD181J-102 | 1kΩ    | 1/8W | Carbon       |
| R165     | QRD181J-183 | 18kΩ   | "    | "            |
| R166     | QRD181J-394 | 390kΩ  | "    | "            |
| R167     | QRD181J-153 | 15kΩ   | "    | "            |
| R168     | QVP4A0B-472 | 4.7kΩ  |      | Variable     |
| R169     | QRD181J-392 | 3.9kΩ  | 1/8W | Carbon       |
| R170     | QRD181J-103 | 10kΩ   | "    | "            |
| R171     | QRD181J-392 | 3.9kΩ  | "    | "            |
| R172     | QRD181J-392 | "      | "    | "            |
| R173     | QRD181J-563 | 56kΩ   | "    | "            |
| R174     | QRD181J-563 | "      | "    | "            |
| R175     | QRD181J-392 | 3.9kΩ  | "    | "            |
| R176     | QRD141J-221 | 220Ω   | 1/4W | "            |
| R177     | QRD181J-152 | 1.5kΩ  | 1/8W | "            |
| R178     | QRD181J-103 | 10kΩ   | "    | "            |
| R179     | QRD181J-103 | "      | "    | "            |
| R180     | QRD181J-561 | 560Ω   | "    | "            |
| R181     | QRD181J-181 | 180Ω   | "    | "            |
| R182     | QRD181J-181 | "      | "    | "            |
| R184     | QRD181J-331 | 330Ω   | "    | "            |
| R185     | QRD181J-272 | 2.7kΩ  | "    | "            |



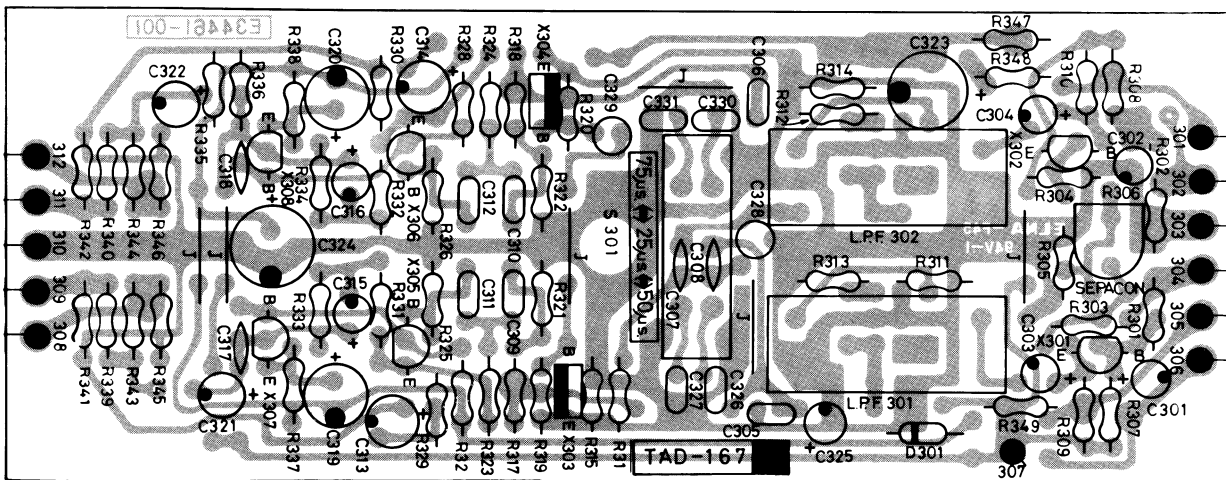
**Resistors**

| Item No. | Part Number | Rating |      | Description |
|----------|-------------|--------|------|-------------|
| R186     | QRD181J-333 | 33kΩ   | 1/8W | Carbon      |
| R187     | QRD181J-273 | 27kΩ   | "    | "           |
| R188     | QRD181J-151 | 150Ω   | "    | "           |

**Others**

| Item No. | Part Number | Rating |  | Description  |
|----------|-------------|--------|--|--------------|
|          | E49829-002  |        |  | Shield Case  |
|          | E60091-002  |        |  | Shield Plate |
|          | E60092-001  |        |  | "            |

**7-(2) TAD-167C Post Amp. C.B. Ass'y**



**Transistors**

| Item No. | Part Number   | Rating |        | Description | Maker   |
|----------|---------------|--------|--------|-------------|---------|
|          |               | Pc     | ft     |             |         |
| X301     | 2SC1775AV (F) | 300mW  | 200MHz | Silicon     | Hitachi |
| X302     | 2SC1775AV (F) | "      | "      | "           | "       |
| X303     | 2SC458 (C)    | 200mW  | 230MHz | "           | "       |
| X304     | 2SC458 (C)    | 200mW  | 230MHz | "           | "       |
| X305     | 2SA872AV (D)  | 300mW  | 200MHz | "           | "       |
| X306     | 2SA872AV (D)  | "      | "      | "           | "       |
| X307     | 2SC1775AV (F) | "      | "      | "           | "       |
| X308     | 2SC1775AV (F) | "      | "      | "           | "       |

**Filters**

| Item No. | Part Number | Rating | Description     | Maker |
|----------|-------------|--------|-----------------|-------|
| LPF301   | E03427-001  |        | Low Pass Filter |       |
| LPF302   | E03427-001  |        | "               |       |

### Diode

| Item No. | Part Number | Rating | Description | Maker      |
|----------|-------------|--------|-------------|------------|
| D301     | IS2473      |        | Silicon     | Toyo Dengu |

### Capacitors

| Item No. | Part Number | Rating      | Description |                     |
|----------|-------------|-------------|-------------|---------------------|
| C301     | QEW41HA-225 | 2.2 $\mu$ F | 50V         | Electrolytic        |
| C302     | QEW41HA-225 | "           | "           | "                   |
| C303     | QEW41EA-475 | 4.7 $\mu$ F | 25V         | "                   |
| C304     | QEW41EA-475 | "           | "           | "                   |
| C305     | QCS11HJ-221 | 220pF       | 50V         | Ceramic             |
| C306     | QCS11HJ-221 | "           | "           | "                   |
| C309     | QFM41HK-104 | 0.1 $\mu$ F | "           | Mylar               |
| C310     | QFM41HK-104 | "           | "           | "                   |
| C311     | QFM41HK-104 | "           | "           | "                   |
| C312     | QFM41HK-104 | "           | "           | "                   |
| C313     | QEB41EM-106 | 10 $\mu$ F  | 25V         | L.L.C. Electrolytic |
| C314     | QEB41EM-106 | "           | "           | "                   |
| C315     | QEB41HM-105 | 1 $\mu$ F   | 50V         | "                   |
| C316     | QEB41HM-105 | "           | "           | "                   |
| C317     | QCS11HJ-150 | 15pF        | "           | Ceramic             |
| C318     | QCS11HJ-150 | "           | "           | "                   |
| C319     | QEW41CA-476 | 47 $\mu$ F  | 16V         | Electrolytic        |
| C320     | QEW41CA-476 | "           | "           | "                   |
| C321     | QEW41HA-225 | 2.2 $\mu$ F | 50V         | "                   |
| C322     | QEW41HA-225 | "           | "           | "                   |
| C323     | QEW41CA-227 | 220 $\mu$ F | 16V         | "                   |
| C324     | QEW41CA-227 | "           | "           | "                   |
| C325     | QEW41HA-105 | 1 $\mu$ F   | 50V         | "                   |
| C326     | QFM41HJ-392 | 3900pF      | "           | Mylar               |
| C327     | QFM41HJ-392 | "           | "           | "                   |
| C328     | QFM41HJ-122 | 1200pF      | "           | "                   |
| C329     | QFM41HJ-122 | "           | "           | "                   |
| C330     | QFM41HJ-272 | 2700pF      | "           | "                   |
| C331     | QFM41HJ-272 | "           | "           | "                   |

### Resistors

| Item No. | Part Number | Rating        | Description |          |
|----------|-------------|---------------|-------------|----------|
| R301     | QRD181J-333 | 33k $\Omega$  | 1/8W        | Carbon   |
| R302     | QRD181J-333 | "             | "           |          |
| R303     | QRD181J-222 | 2.2k $\Omega$ | "           |          |
| R304     | QRD181J-222 | "             | "           |          |
| R305     | QRD181J-332 | 3.3k $\Omega$ | "           |          |
| R306     | QVP8A0B-054 | 50k $\Omega$  | "           | Variable |
| R307     | QRD181J-124 | 120k $\Omega$ | "           | Carbon   |
| R308     | QRD181J-124 | "             | "           | "        |
| R309     | QRD181J-472 | 4.7k $\Omega$ | "           | "        |
| R310     | QRD181J-472 | "             | "           | "        |
| R311     | QRD181J-332 | 3.3k $\Omega$ | "           | "        |
| R312     | QRD181J-332 | "             | "           | "        |

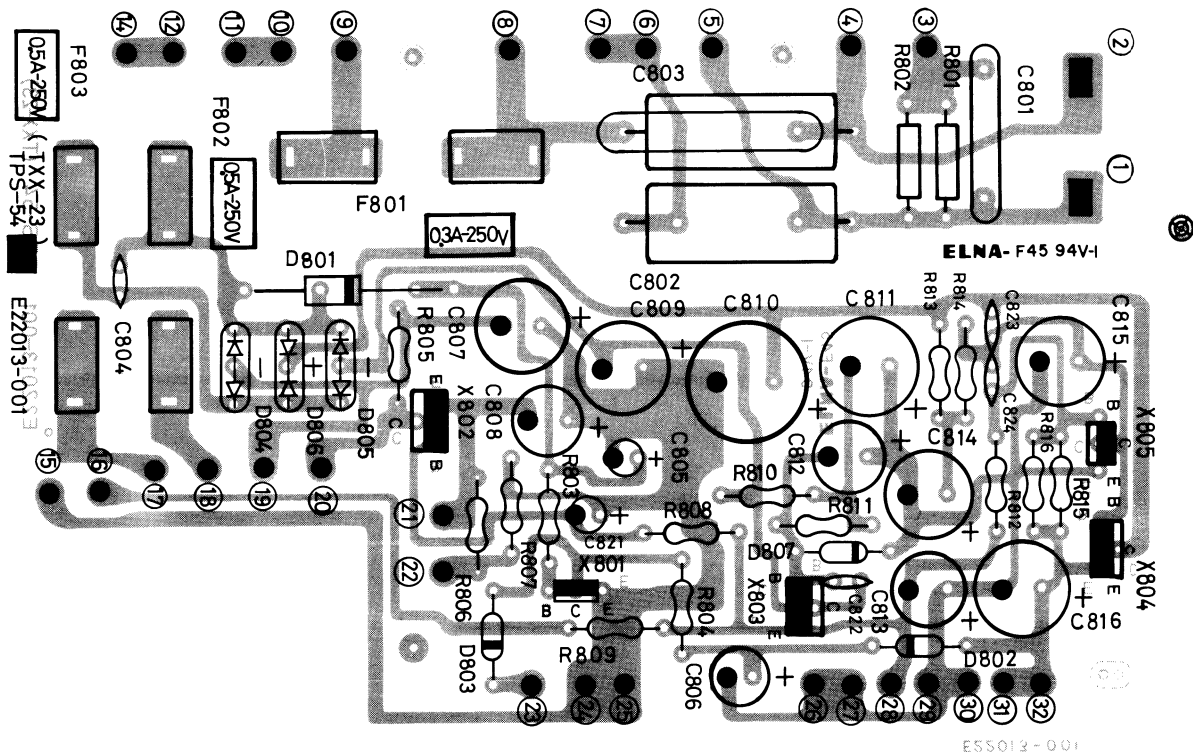
**Resistors**

| Item No. | Part Number | Rating |      | Description |
|----------|-------------|--------|------|-------------|
|          |             |        |      |             |
| R313     | QRD181J-183 | 18kΩ   | 1/8W | Carbon      |
| R314     | QRD181J-183 | "      | "    | "           |
| R315     | QRD181J-103 | 10kΩ   | "    | "           |
| R315     | QRD181J-103 | 10kΩ   | "    | "           |
| R319     | QRD181J-333 | 33kΩ   | "    | "           |
| R320     | QRD181J-333 | "      | "    | "           |
| R323     | QRD181J-124 | 120kΩ  | "    | "           |
| R324     | QRD181J-124 | "      | "    | "           |
| R325     | QRD181J-224 | 220kΩ  | "    | "           |
| R326     | QRD181J-224 | "      | "    | "           |
| R327     | QRD181J-823 | 82kΩ   | "    | "           |
| R328     | QRD181J-823 | "      | "    | "           |
| R329     | QRD181J-821 | 820Ω   | "    | "           |
| R330     | QRD181J-821 | "      | "    | "           |
| R331     | QRD181J-123 | 12kΩ   | "    | "           |
| R332     | QRD181J-123 | "      | "    | "           |
| R333     | QRD181J-153 | 15kΩ   | "    | "           |
| R334     | QRD181J-153 | "      | "    | "           |
| R335     | QRD181J-272 | 2.7kΩ  | "    | "           |
| R336     | QRD181J-272 | "      | "    | "           |
| R337     | QRD181J-182 | 1.8kΩ  | "    | "           |
| R338     | QRD181J-182 | "      | "    | "           |
| R339     | QRD181J-682 | 6.8kΩ  | "    | "           |
| R340     | QRD181J-682 | "      | "    | "           |
| R343     | QRD181J-682 | "      | "    | "           |
| R344     | QRD181J-682 | "      | "    | "           |
| R345     | QRD181J-472 | 4.7kΩ  | "    | "           |
| R346     | QRD181J-472 | "      | "    | "           |
| R347     | QRD141J-121 | 120Ω   | 1/4W | "           |
| R348     | QRD141J-121 | "      | "    | "           |

**Other**

| Item No. | Part Number | Rating |  | Description  |
|----------|-------------|--------|--|--------------|
|          |             |        |  |              |
| S301     | QSS2301-001 |        |  | Slide Switch |

### 7-(3) TPS-54A Power Supply C.B.Ass'y



#### Transistors

| Item No. | Part Number  | Rating |                | Description | Maker   |
|----------|--------------|--------|----------------|-------------|---------|
|          |              | Pc     | f <sub>T</sub> |             |         |
| X801     | 2SC458 (C)   | 220mW  | 230MHz         | Silicon     | Hitachi |
| X802     | 2SB511 (E)   | 10W    | 8MHz           | "           | Sanyo   |
| X803     | 2SB511 (E)   | "      | "              | "           | "       |
| X804     | 2SD313 (E)   | 30W    | "              | "           | "       |
| X805     | 2SC1213A (C) | 400mW  | 150MHz         | "           | Hitachi |

#### Diodes

| Item No. | Part Number | Rating | Description     | Make       |
|----------|-------------|--------|-----------------|------------|
| D801     | SiB01-02    |        | Silicon         | Kyod Denki |
| D802     | 1S2473      |        | "               | Toyo Dengu |
| D803     | 1S2473      |        | "               | "          |
| D804     | ESAB02-02N  |        | "               | Kyod Denki |
| D805     | ESAB02-02N  |        | "               | "          |
| D806     | ESAB02-02C  |        | "               | "          |
| D807     | E0771-12    |        | Zener Diode 13V | JRC        |

### Capacitors

| Item No. | Part Number | Rating       |       | Description     |
|----------|-------------|--------------|-------|-----------------|
| * C803   | QFH53AM-103 | 0.01 $\mu$ F | 1000V | Metalized Mylar |
| C804     | QCF11HP-103 | "            | 50V   | Ceramic         |
| C805     | QEW41HA-474 | 0.47 $\mu$ F | "     | Electrolytic    |
| C806     | QEW41CA-476 | 47 $\mu$ F   | 16V   | "               |
| C807     | QEW41VA-227 | 220 $\mu$ F  | 35V   | "               |
| C808     | QEW41CA-227 | "            | 16V   | "               |
| C809     | QEW41VA-227 | "            | 35V   | "               |
| C810     | QEW41VA-477 | 470 $\mu$ F  | "     | "               |
| C811     | QEW41EA-107 | 100 $\mu$ F  | 25V   | "               |
| C812     | QEW41CA-227 | 220 $\mu$ F  | 16V   | "               |
| C813     | QEW41CA-227 | "            | "     | "               |
| C814     | QEW41EA-227 | "            | 25V   | "               |
| C815     | QEW41CA-477 | 470 $\mu$ F  | 16V   | "               |
| C816     | QEW41CA-477 | "            | "     | "               |

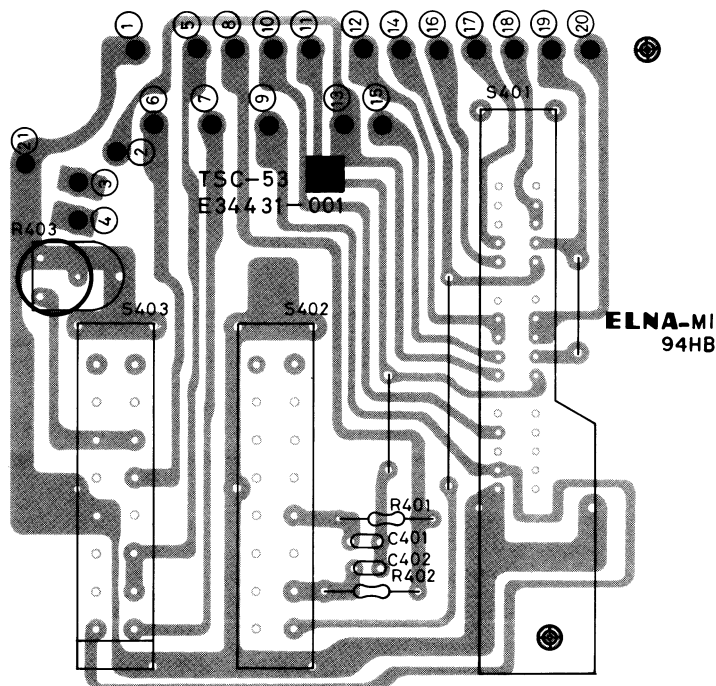
### Resistors

| Item No. | Part Number  | Rating        |      | Description       |
|----------|--------------|---------------|------|-------------------|
| * R801   | QRC121K-475E | 4.7M $\Omega$ | 1/2W | Composition       |
| * R802   | QRC121K-475E | "             | "    | "                 |
| R803     | QRD141J-123  | 12k $\Omega$  | 1/4W | Carbon            |
| R804     | QRD141J-153  | 15k $\Omega$  | "    | "                 |
| R805     | QRD141J-332  | 3.3k $\Omega$ | "    | "                 |
| R806     | QRD141J-332  | "             | "    | "                 |
| R807     | QRD126J-4R7  | 4.7 $\Omega$  | 1/2W | Unflamable Carbon |
| R808     | QRD141J-332  | 3.3k $\Omega$ | 1/4W | Carbon            |
| R809     | QRD126J-221  | 220 $\Omega$  | 1/2W | Unflamable Carbon |
| R810     | QRD141J-272  | 2.7k $\Omega$ | 1/4W | Carbon            |
| R811     | QRD141J-221  | 220 $\Omega$  | "    | "                 |
| R812     | QRD141J-223  | 22k $\Omega$  | "    | "                 |
| R813     | QRD141J-152  | 1.5k $\Omega$ | "    | "                 |
| R814     | QRD141J-681  | 680 $\Omega$  | "    | "                 |
| R815     | QRD141J-223  | 22k $\Omega$  | "    | "                 |
| R816     | QRD141J-154  | 150k $\Omega$ | "    | "                 |

### Others

| Item No. | Part Number | Rating |      | Description |
|----------|-------------|--------|------|-------------|
| * F801   | QMF61U2-R30 | 0.3A   | 250V | Fuse        |
| * F802   | QMF61U2-R50 | 0.5A   | "    | "           |
| * F803   | QMF61U2-R50 | "      | "    | "           |

### 7-(4) TSC-53A Switch C.B.Ass'y



#### Capacitors

| Item No. | Part Number | Rating  |     | Description |
|----------|-------------|---------|-----|-------------|
| C401     | QFM41HK-222 | 2200pF  | 50V | Mylar       |
| C402     | QFM41HK-123 | 0.012μF | "   | "           |

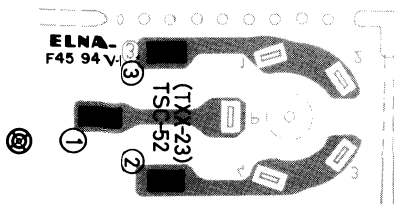
#### Resistors

| Item No. | Part Number | Rating |      | Description |
|----------|-------------|--------|------|-------------|
| R401     | QRD141J-105 | 1MΩ    | 1/4W | Carbon      |
| R402     | QRD141J-105 | "      | "    | "           |
| R403     | QVP4A0B-472 | 4.7kΩ  |      | Variable    |

#### Others

| Item No. | Part Number | Rating |  | Description         |
|----------|-------------|--------|--|---------------------|
| S401     | QSR0070-001 |        |  | Rotary Slide Switch |
| S402     | QSL4312-002 |        |  | Lever Switch        |
| S403     | QSL4312-002 |        |  | "                   |

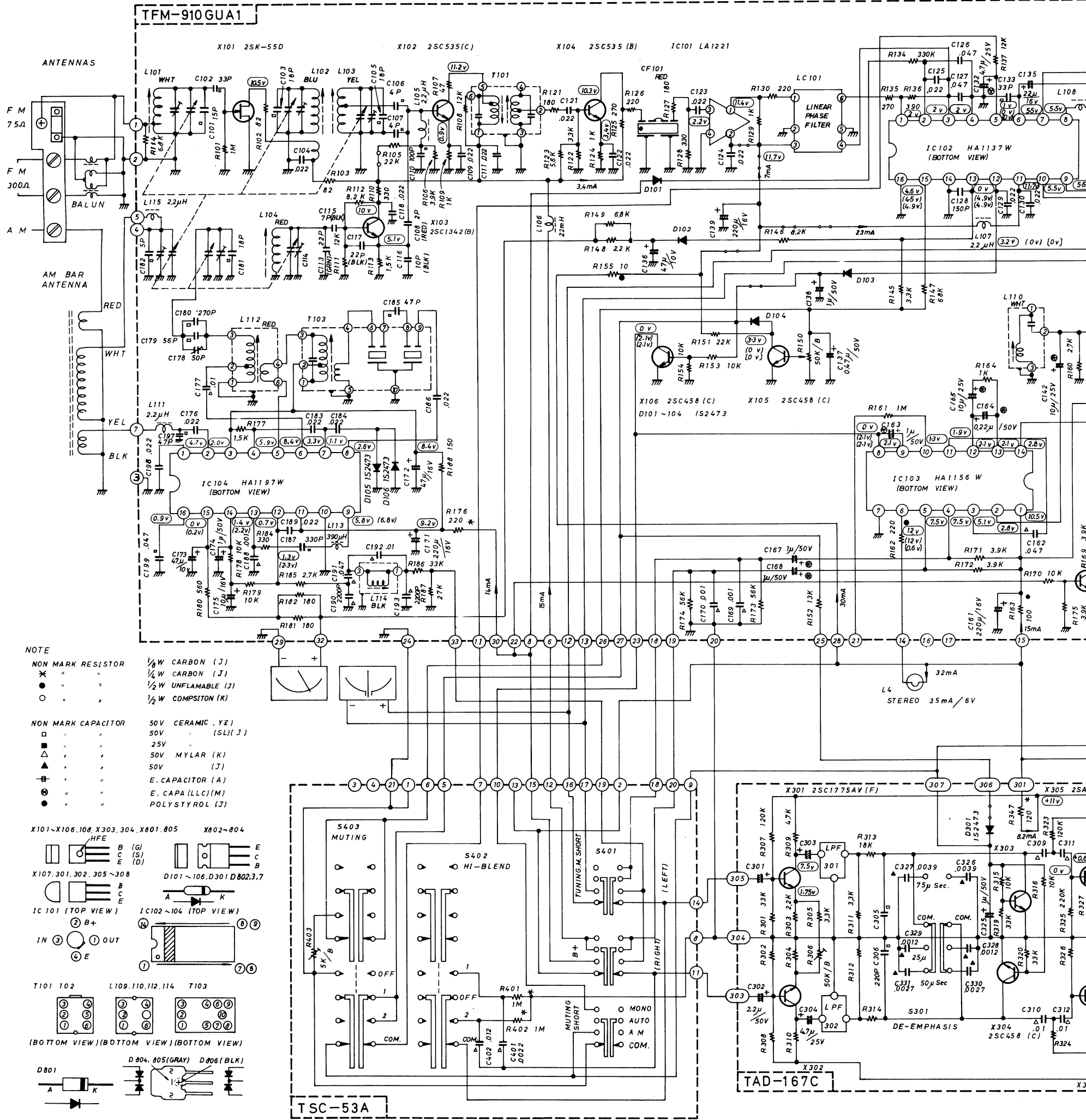
### 7-(5) TSC-52A Switch C.B.Ass'y

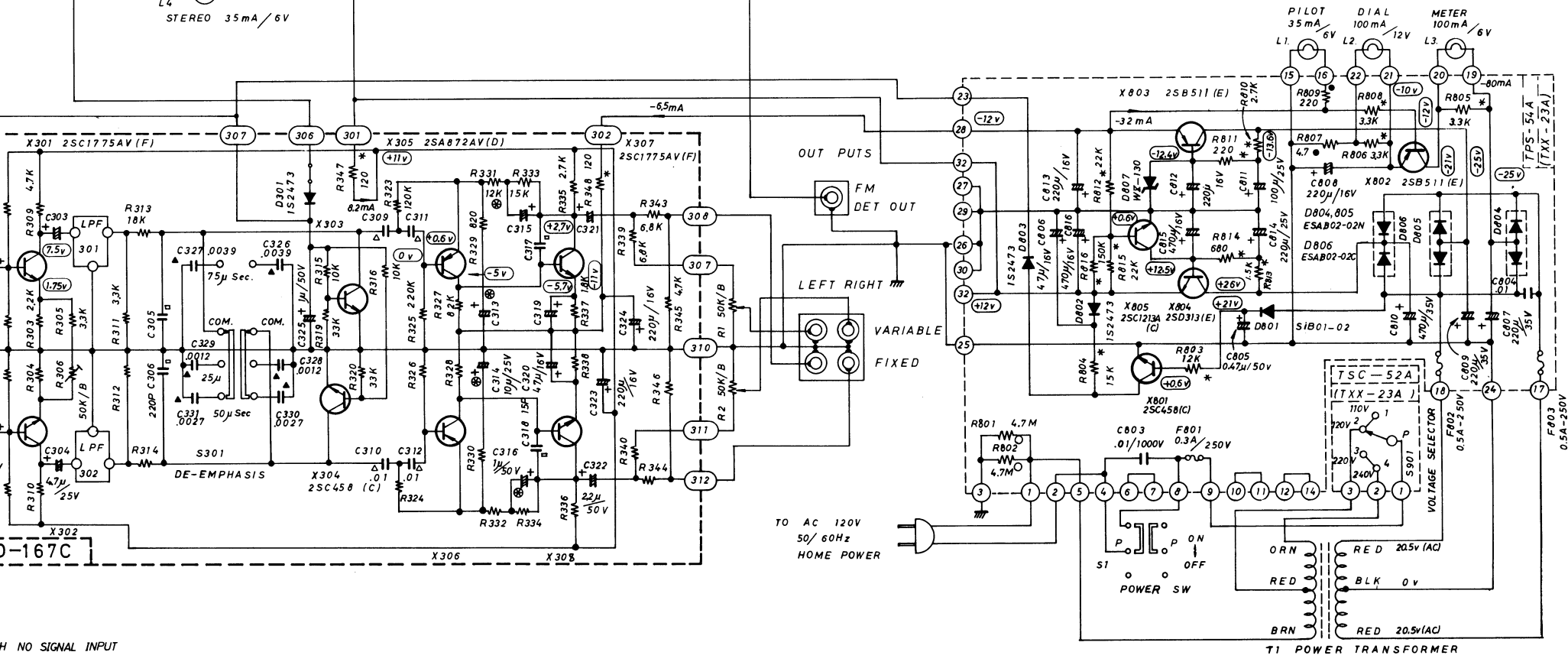
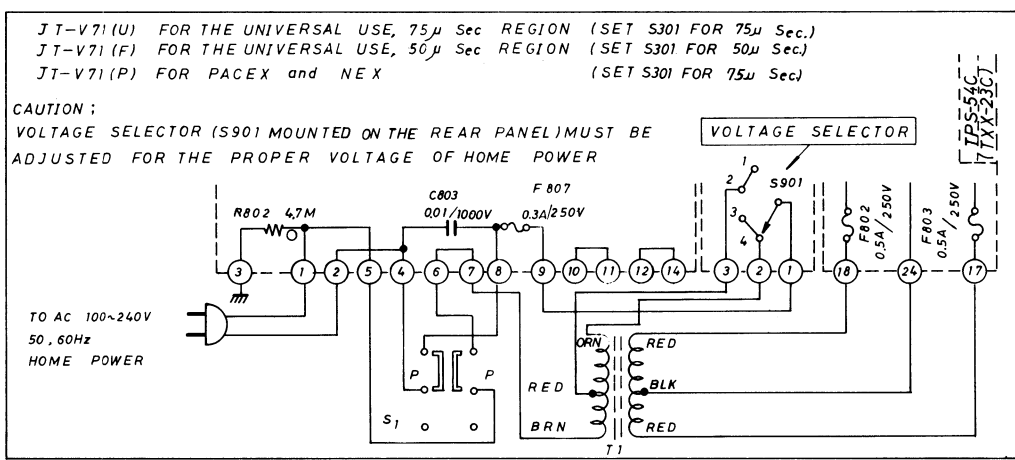
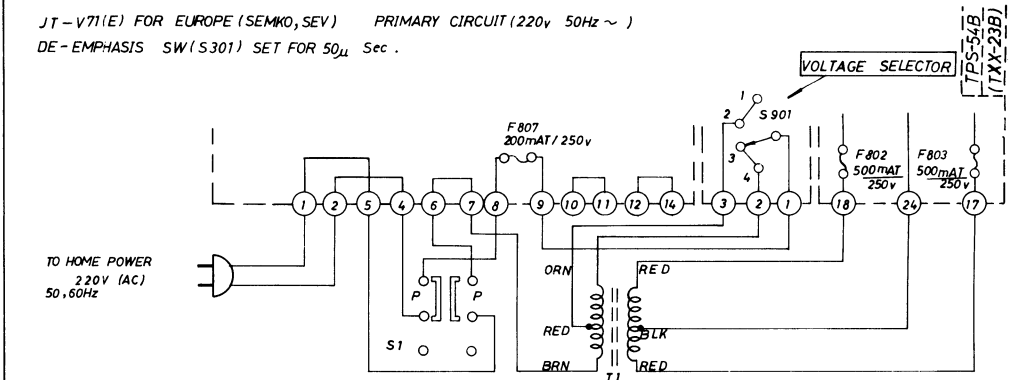
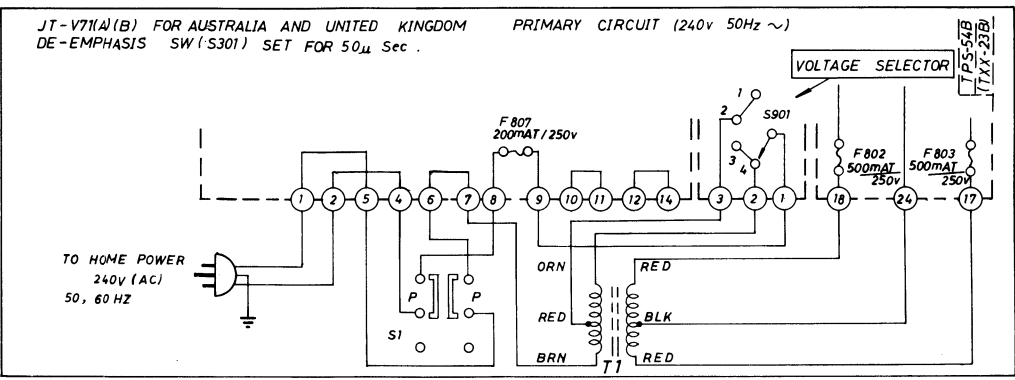
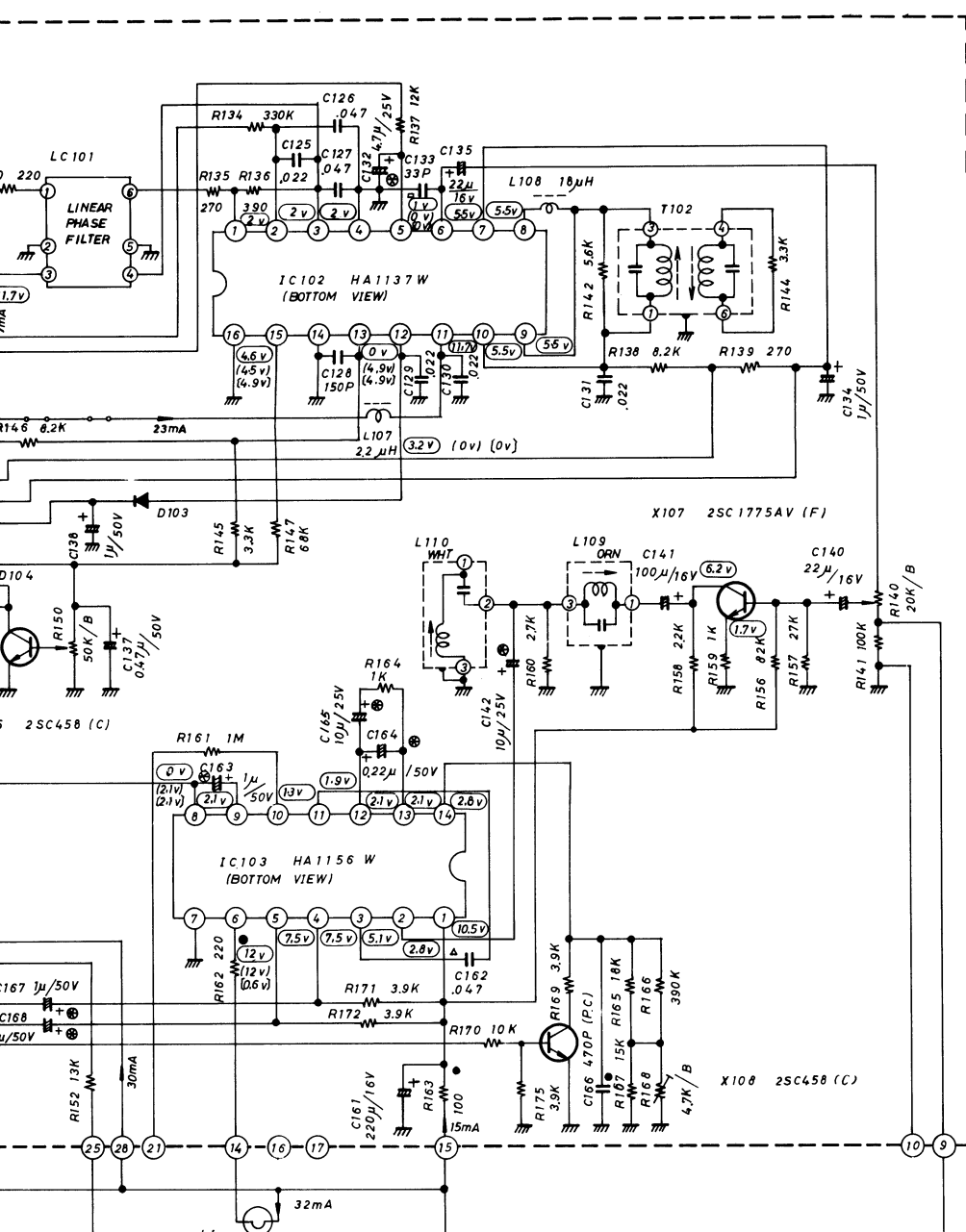


#### Others

| Item No. | Part Number | Rating |      | Description           |
|----------|-------------|--------|------|-----------------------|
| S901     | QSR0074-001 | 2A     | 250V | Line Voltage Selector |

# 8. Schematic Diagram

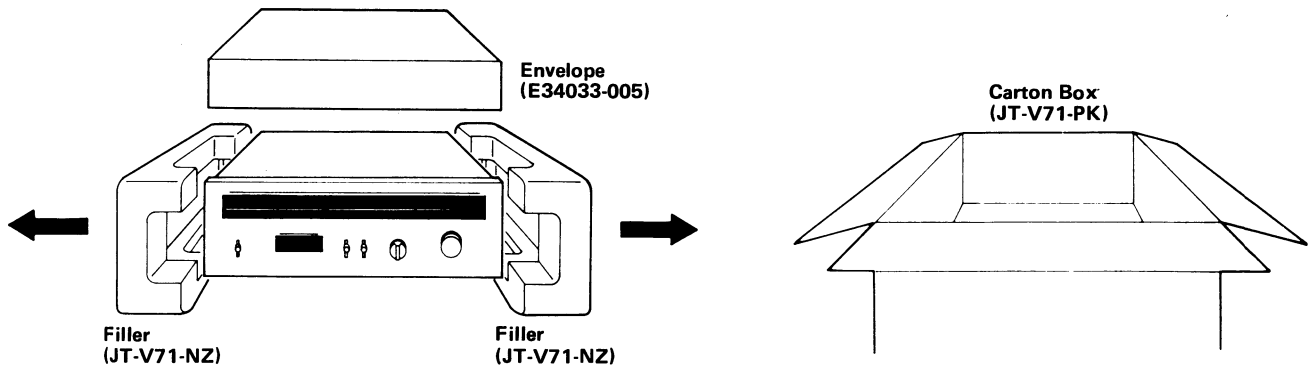




NO SIGNAL INPUT  
STEREO MODE



## 9. Packing Materials List



## 10. Accessories List

| Part Number   | Description              | Q'ty |
|---------------|--------------------------|------|
| * E30580-494A | Instruction Book         | 1    |
| E64207-002    | Envelope for Accessories | 1    |
| * BT20020     | Warranty Card            | 1    |
| E03614-002    | FM Antenna               | 1    |
| E03479-001    | Signal Cord              | 1    |

## 11. Parts List with Specified Numbers for Designated Areas

| Page | Item No. | Description                | Original<br>(U.S.A. and Canada)      | For Europe<br>Sweden<br>Norway<br>Finland<br>Switzerland<br>Denmark | For U.K.<br>and<br>Australia                 | For Other Countries<br>and PACEX                          |
|------|----------|----------------------------|--------------------------------------|---|--|---|
| 4    | 3        | Power Supply<br>C.B. Ass'y | TPS-54A                              | TPS-54B   | TPS-54B                                      | TPS-54C   |
| 20   | C803     | Metalized Mylar            | QFH53AM-103                          | _____   | _____  | QFH53AM-103   |
| 20   | R801     | Composition                | QRC121K-475E                         | _____   | _____  | QRC121K-475E  |
| 20   | R802     | "                          | "                                    | _____   | _____  | _____   |
| 20   | F801     | Fuse (Primary)             | QMF61U2-R30                          | QMF51A2-R20   | QMF51A2-R20                                  | QMF61U2-R30   |
| 20   | F802     | Fuse (Secondary)           | QMF61U2-R50                          | QMF51A2-R50   | QMF51A2-R50                                  | QMF61U2-R50   |
| 20   | F803     | "                          | QMF61U2-R50                          | QMF51A2-R50   | QMF51A2-R50                                  | QMF61U2-R50   |
| 4    | 5        | Switch C.B. Ass'y          | To set 120V                          | To set 220V   | To set 240V                                  | To set 110V, 120V,<br>220V, 240V.<br>Each proper Volt age |
| 7    | 23A      | Cover (for TSC-52)         | E60931-001                           | _____   | _____  | _____   |
| 7    | 23B      | Screw                      | SBSB3008M                            | _____   | _____  | _____   |
| 4    | 8        | Power Transformer          | E03042-15F                           | E03042-15E  | E03042-15E                                   | E03042-15E  |
| 6    | 58       | Power Switch               | QSL2220-002                          | QSL2220-003   | QSL2220-003                                  | QSL2220-003   |
| 8    | 13       | Power Cord                 | QMP1200-244                          | QMP3800-240<br>(Switzerland)  | QMP9020-003<br>(U.K.)                        | QMP1200-244   |
| 24   |          | Instruction Book           | E30580-494A                          | E03544-001<br>(Sweden)  | E03551-002<br>(Australia)                    | E30580-494A   |
| 24   |          | Warranty Card              | BT20020 (U.S.A.)<br>BT20008 (Canada) | E30580-495A   | E30580-495A<br>BT20013 (U.K.)<br>(Australia) | BT20014C<br>(PACEX only)                                  |
| 8    | 15       | Cord Stopper               | QHS3876-162                          | QHS3876-162   | QHS3876-162 (U.K.)<br>QHS6374-162 (A)        | QHS3876-162   |